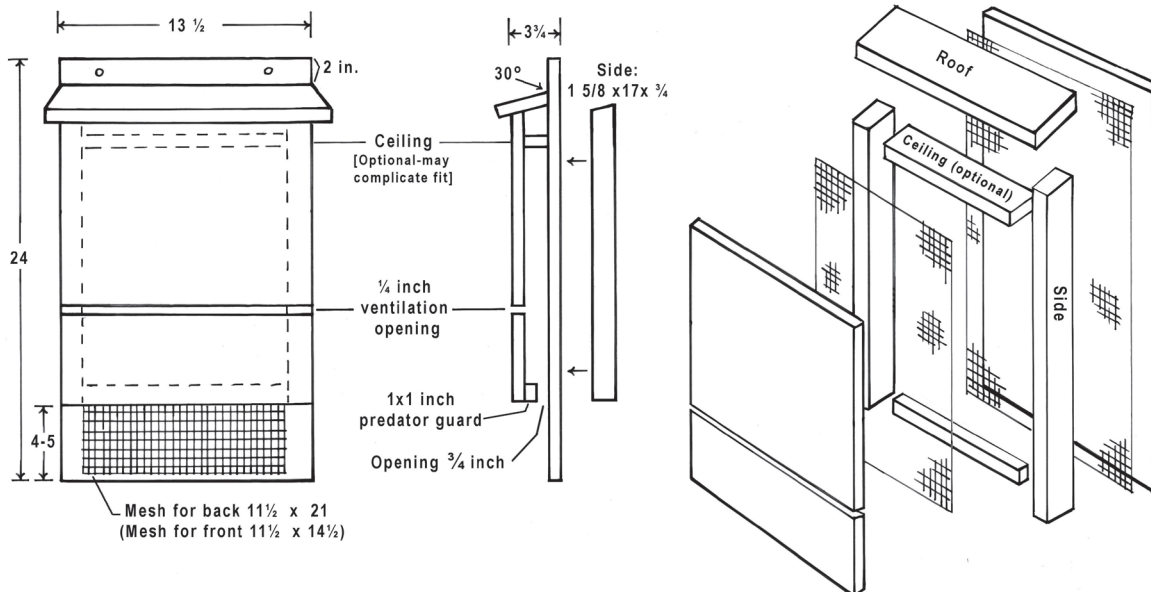


Bat House Building Guide



MATERIALS:

- 3/4" to 1" thick exterior plywood or cedar
- Galvanized screws
- Silicone caulk
- 1/2" to 3/8" staples
- 1/8" to 1/4" polyethylene plastic mesh (optional)
- Non-toxic, black or brown latex paint (optional)

FINISHED SIZE:

- At least 24" tall
- 13 – 14" wide
- 3" – 4" deep

BUILDING RECOMMENDATIONS:

- Inside should have horizontal grooves at least every 1/4" to 1/2" apart OR attach polyethylene plastic mesh with exterior staples all the way up the front and back on the inside of the house to ensure bats can hang comfortably
- Opening at the bottom of the house should be about 3/4" to 1" wide to prevent predators from entering
- Use 2" width sides and a 1" strip of wood (predator guard) attached to the lower front panel to create the small opening
- Landing area should be at least 4"

- For temperature variation, add a ceiling just beneath the roof on the inside of the house and leave a 1/4" wide air vent about 6" above the opening
- Caulk the seams to keep bats warm and dry
- Put bat house together with galvanized screws to help prolong the life of the house
- Paint outside of bat house with non-toxic, black or brown latex paint if the house is not getting at least 6 hours of sunlight

LOCATION AND MOUNTING:

- Place at least 15 ft. high
- Face south to southeast to gain exposure to at least 6 hours of direct sunlight
- Bat house should be free from obstructions with at least 20 ft. of open space around the bat house
- Mounting options: poles, garages, barns, human houses, or tall trees, making sure there are no obstacles to prevent bats from entering the bat house.
- Bat houses covered by leaves may take longer to become occupied because they are harder for the bats to find

For more information on bats and how to get involved in our Bat House Research Project, please visit www.batconservation.org or contact the Organization for Bat Conservation at info@batconservation.org.



For more information about bats, visit www.batconservation.org and www.batslive.pwnet.org



ORGANIZATION FOR
BAT CONSERVATION
#SAVETHEBATS